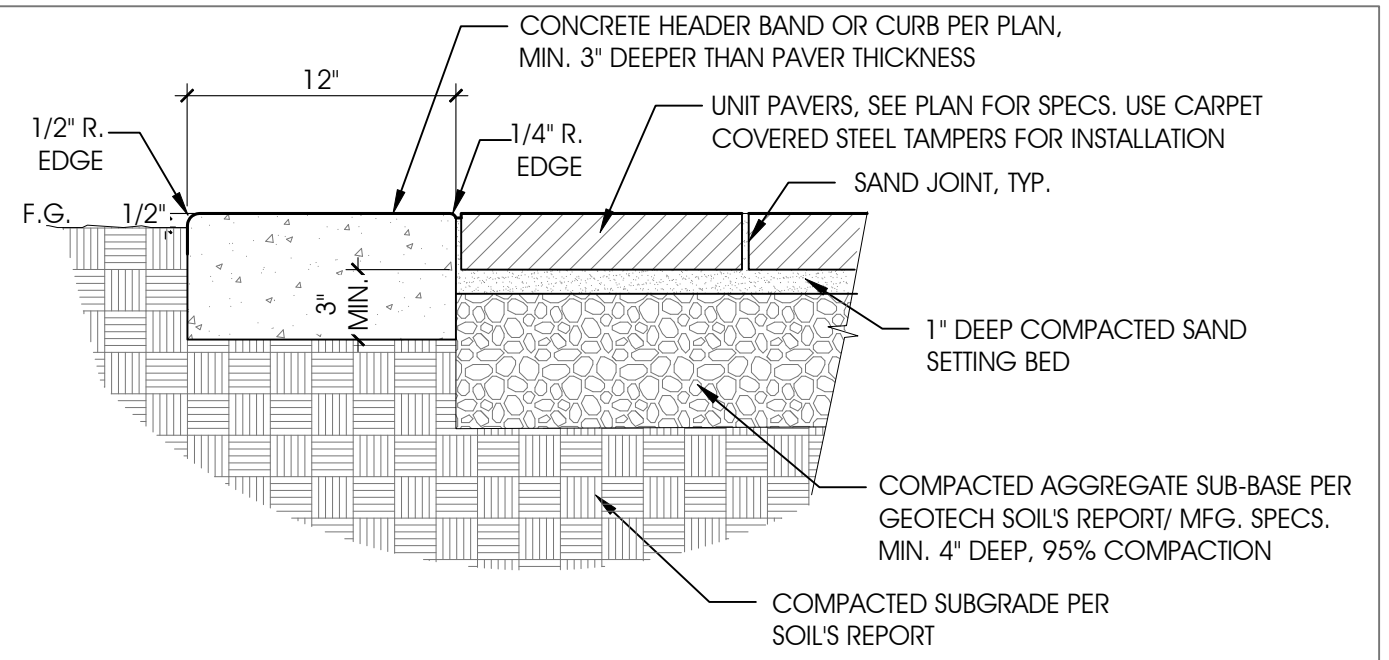
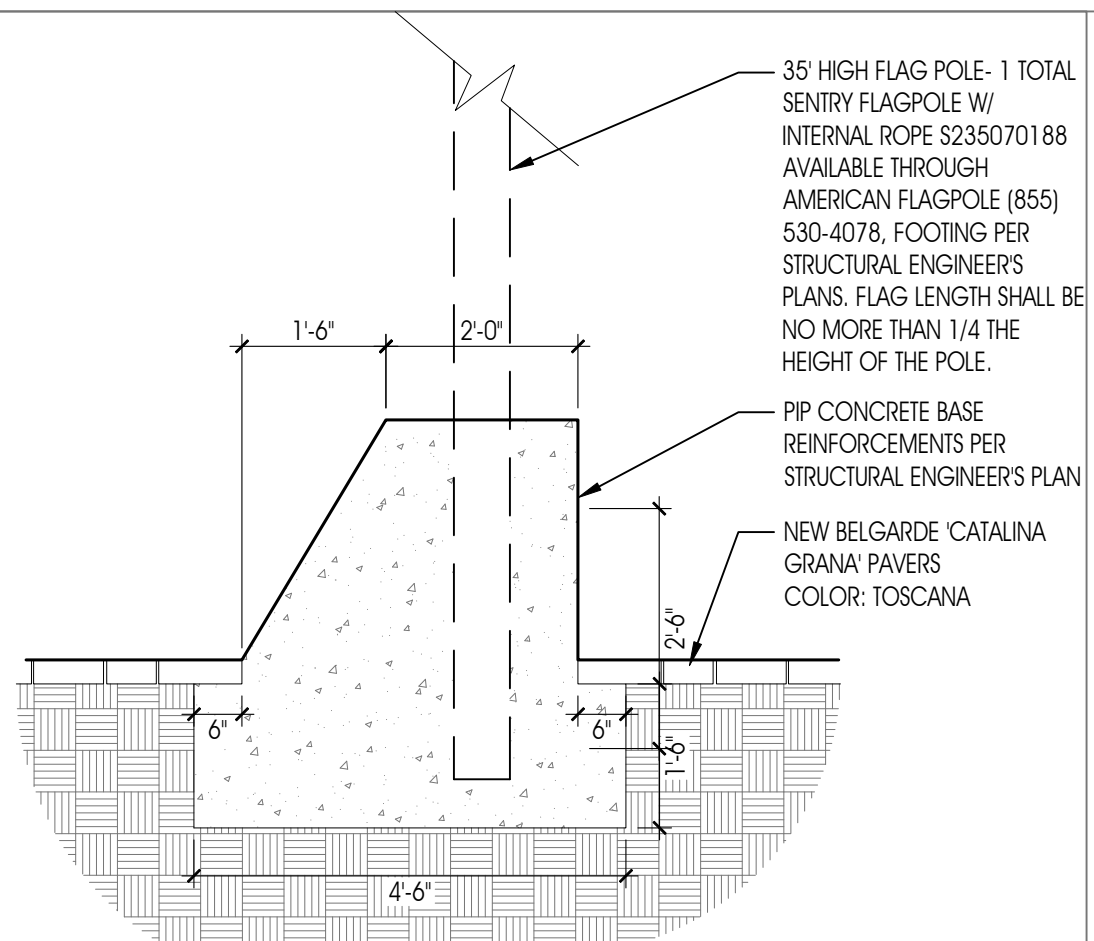


PLAN VIEW



PAVER WITH CONCRETE HEADER

SCALE 1-1/2"=1'-0" (8)



FLAGPOLE BASE

SCALE 1/2"=1'-0" (24)

